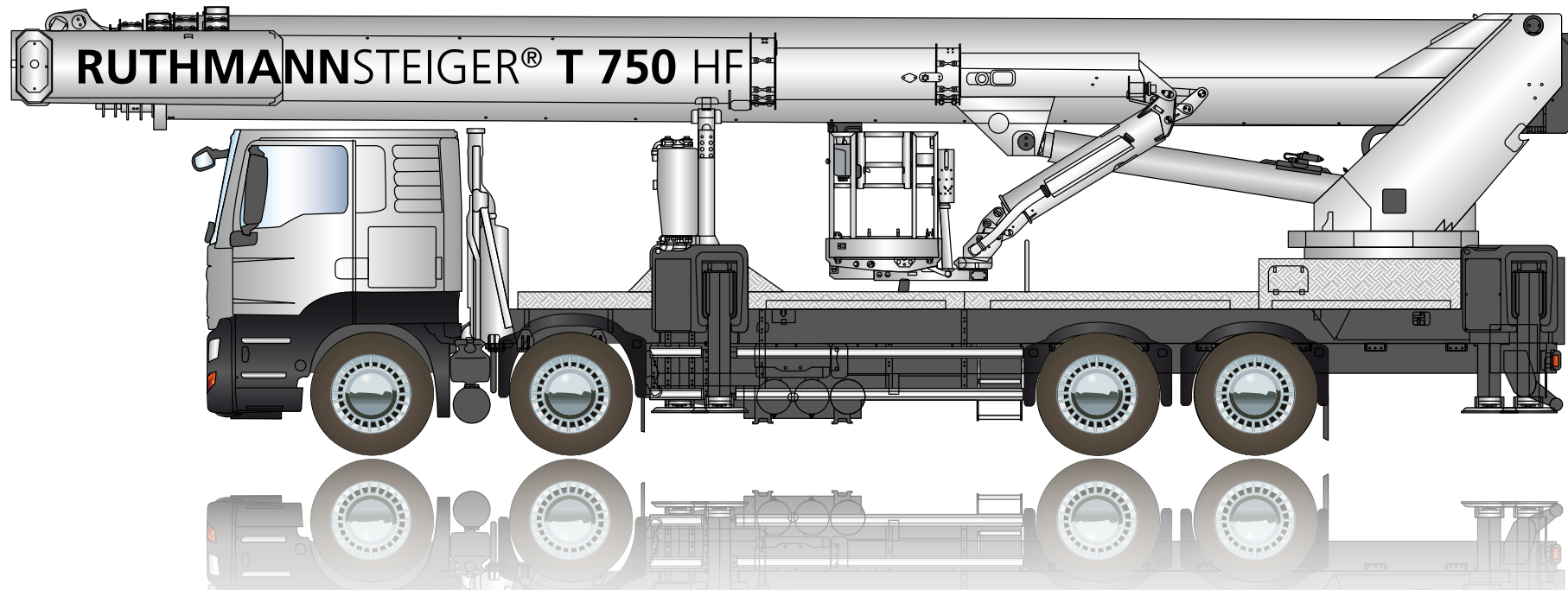
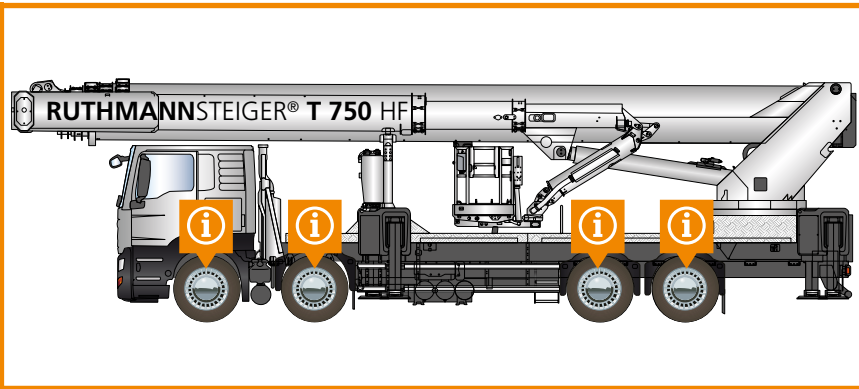


STEIGER® T 750 HF








EVOLUTION in the class > 70 m!
HEIGHT performance Maximus

STEIGER® T 750 HF

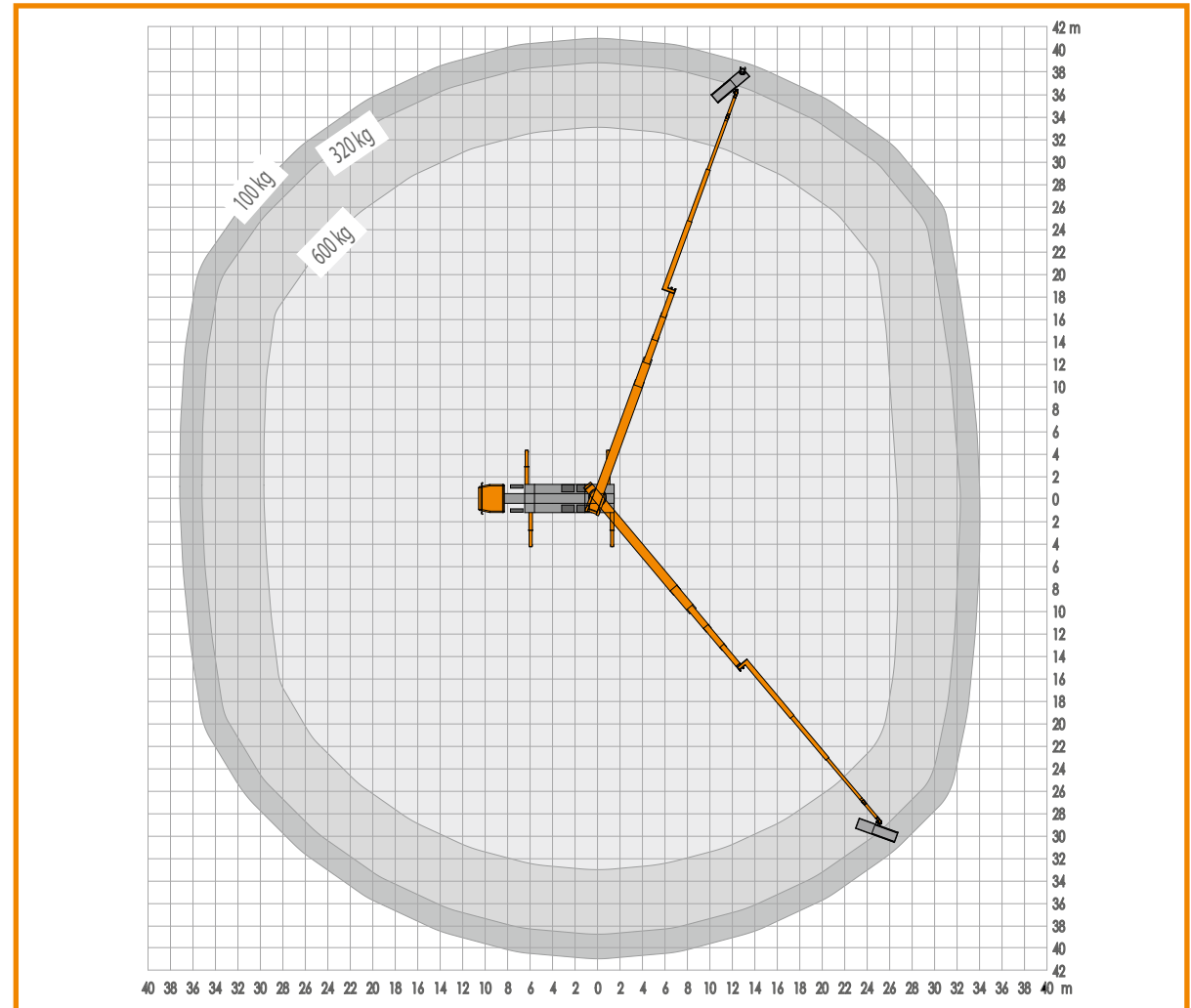


Maximum POWER on 4 axes
Opening new working areas in the class > 70 m

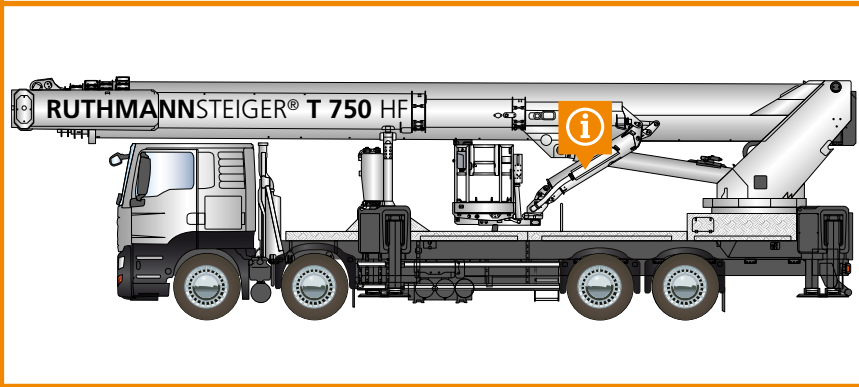
PERFORMANCE DATA*

-  75 m working height → 3 m MORE
-  41 m outreach → 3 m MORE
-  2° inclination
-  Total length only 13.99 m
-  83° angle of elevation → 2° MORE

*depending on mounts and features



STEIGER® T 750 HF



Significantly **MORE** flexibility in use with the **highflexRÜSSEL®** (jib)



220°

True angle of the RÜSSEL®'s (jib) due to optimized articulating telescopic basket

+ 10° MORE



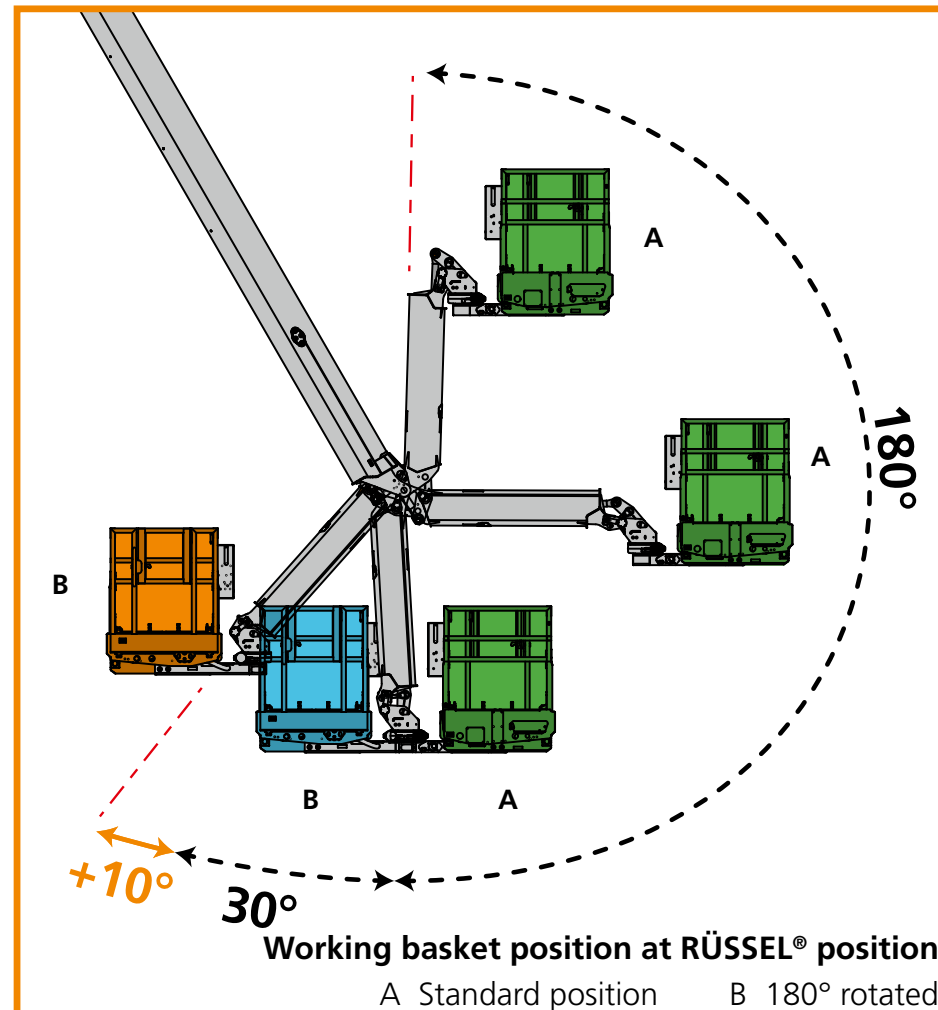
2.0 m RÜSSEL®-length (jib)
therefore 6 m object flexibility



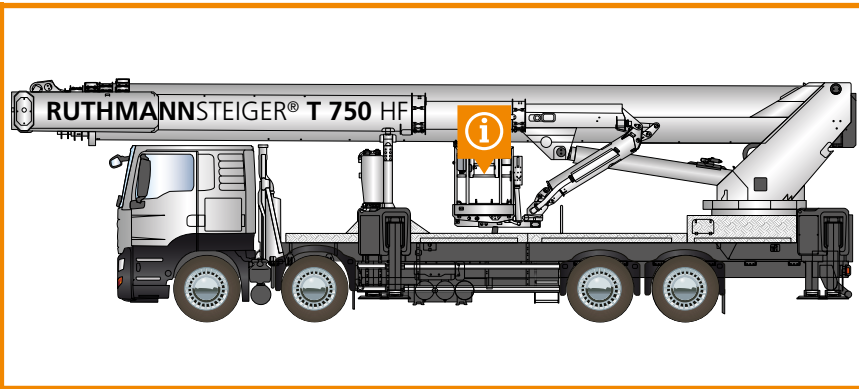
40° MORE RÜSSEL® (jib) rotation compared to T 720



'Standing' working basket perfect for 'under and up' as well as all possibilities of 'up and over and back' during lowered RÜSSEL®



STEIGER® T 750 HF



i MORE flexibility in use with the **highflex** working basket

+ **440°**

MAXIMUM BASKET ROTATION ANGLE

+ 2 x 220° working basket rotation
+ 40° MORE

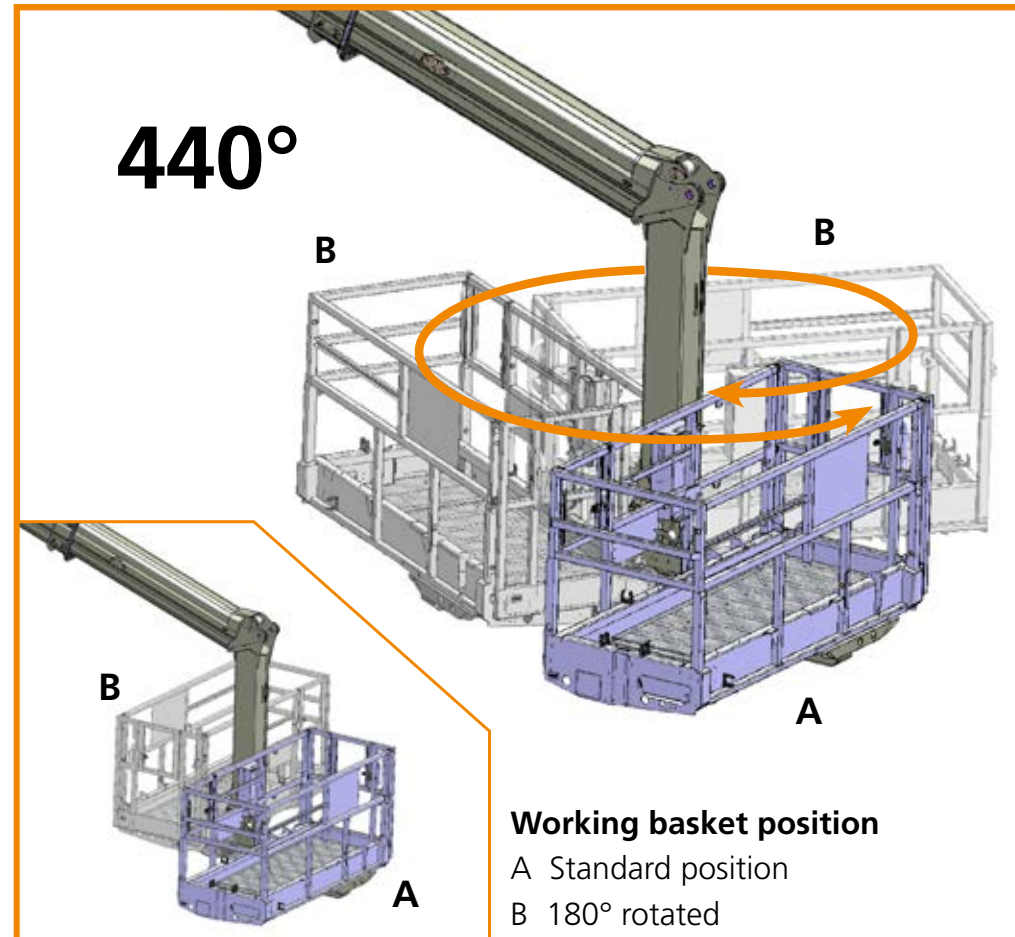
+ Perfect for 'up and over and back'
to work perfectly from the rear side of objects

+ Biggest working basket available
on the market
3.82 x 0.97 m fully telescoped

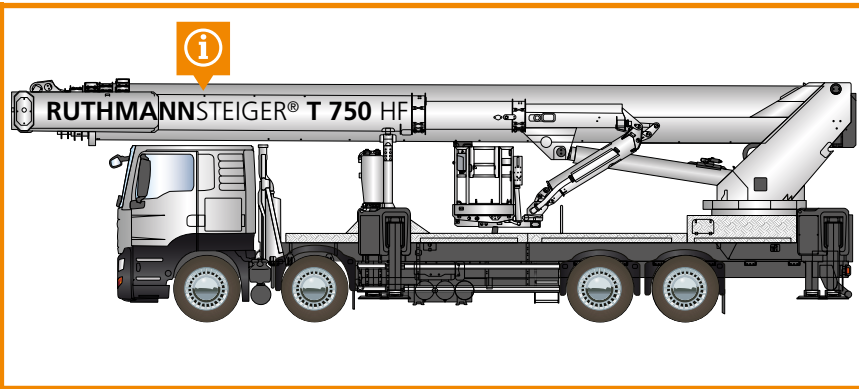
+ 600 kg working basket load

+ Few interference factors under
working basket

+ All positions also reachable with
extended working basket



STEIGER® T 750 HF

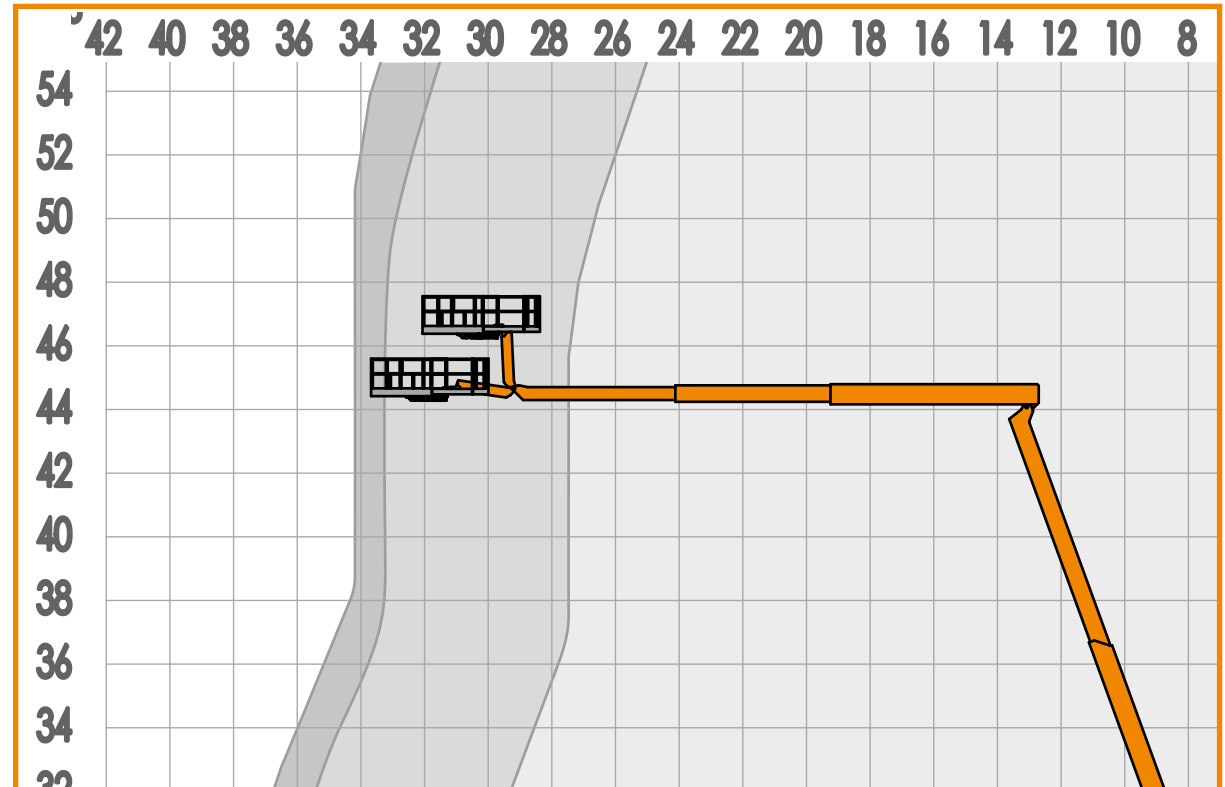


i Once again **the upper boom length** has been increased for even more outreach in the elevated direction

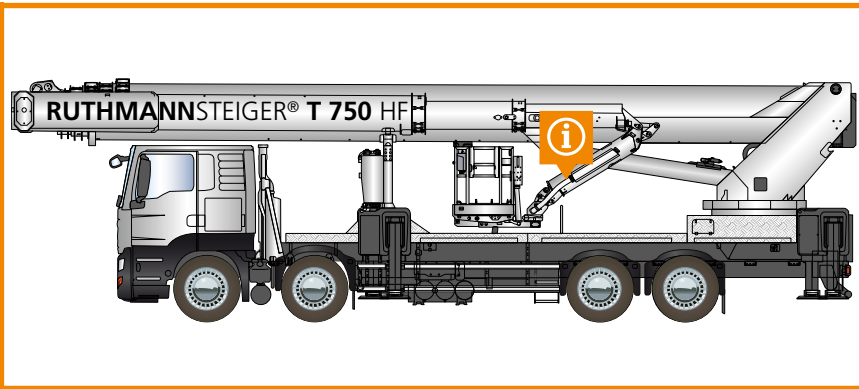
+ **21.05 m**

TOTAL HORIZONTAL RANGE OF THE UPPER BOOM

+ still + 1.45 m more against T 720



STEIGER® T 750 HF



i still MORE **UNDERGROUND** power

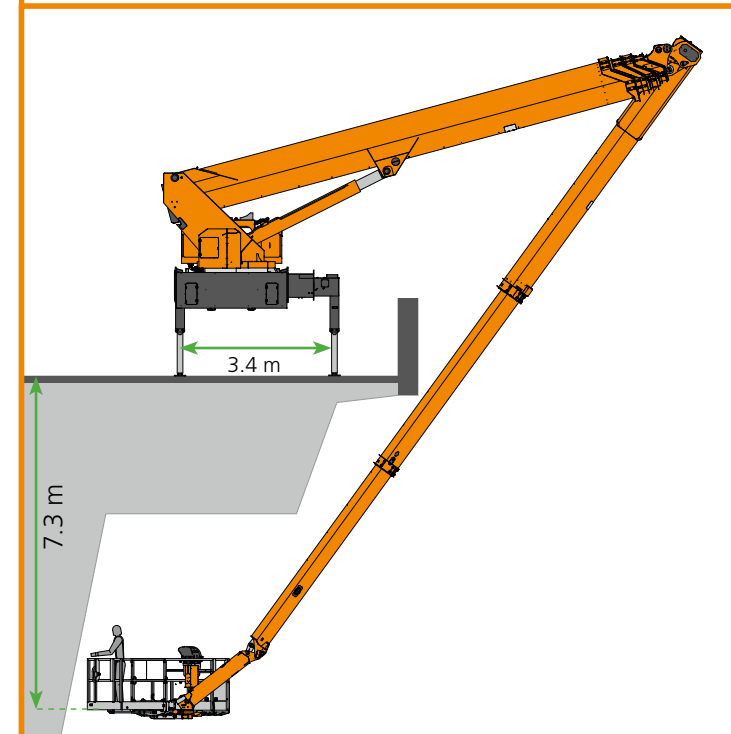
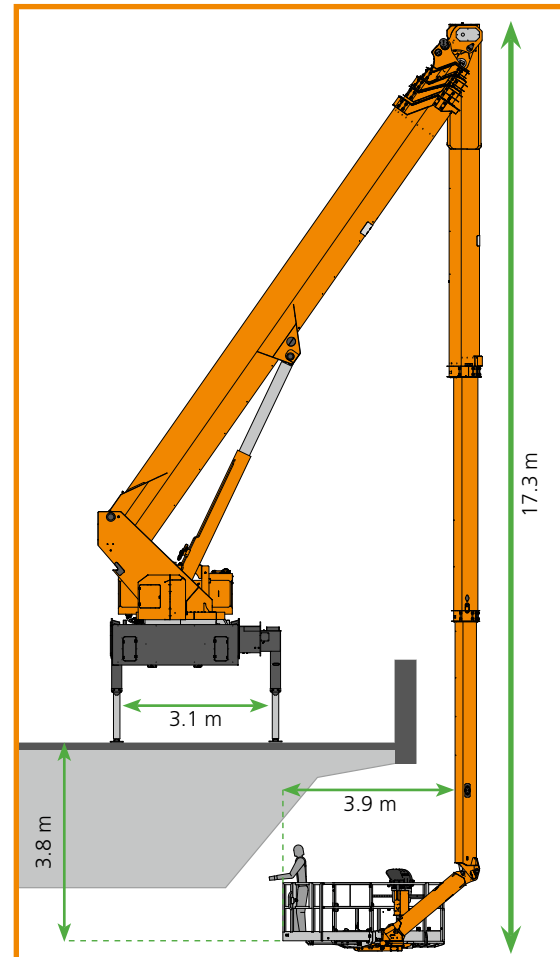
+ **14.5 m**

Total underground 'working depth'

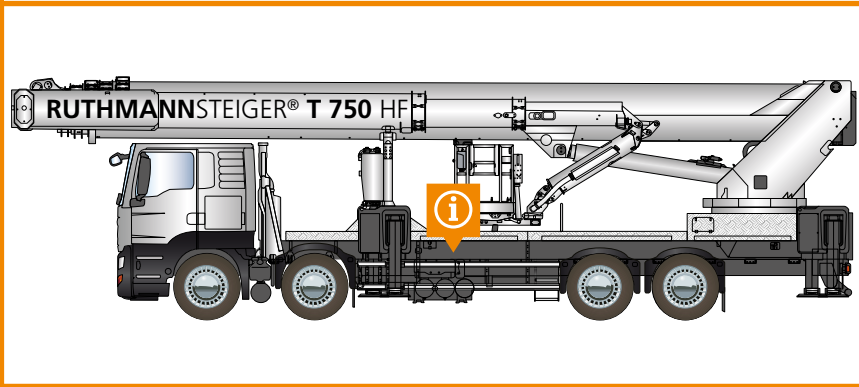
+ + 2.5 m even more than the T 720

+ Extremely dynamic as 440° basket rotation angle

+ brings the basket up to 1.2 m closer to the object than any comparable competitor's offer ('standing' working basket)



STEIGER® T 750 HF



i MORE chassis selection is not possible!
We meet (almost) all your wishes!

CHASSIS SELECTION POSSIBILITIES

- +** All major brands
- +** Drive: 8x2, 8x4, 8x6, 8x8
- +** Standard or long driver's cabin



IVECO

DAF

MAN



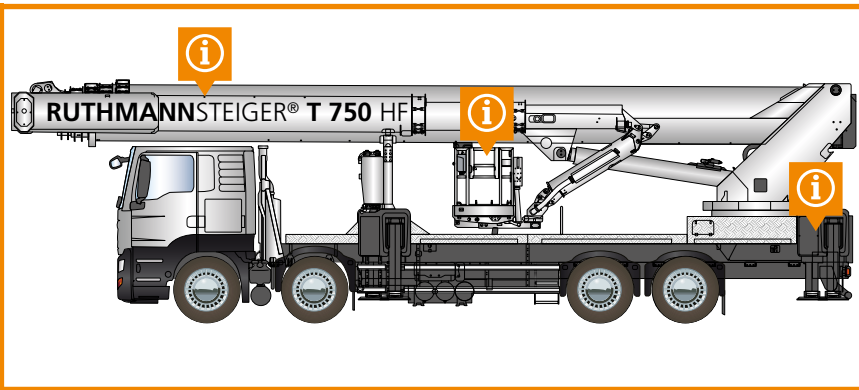
SCANIA



Mercedes-Benz

only exemplary illustrations of brands and chassis variants

STEIGER® T 750 HF



i Even MORE HEIGHT performance features and benefits



+ DIVERSE DRIVING POSITIONS FOR THE SUPPORTS

Working basket – vehicle rear (left + right) – Second control

+ COCKPIT (control unit in the working basket)

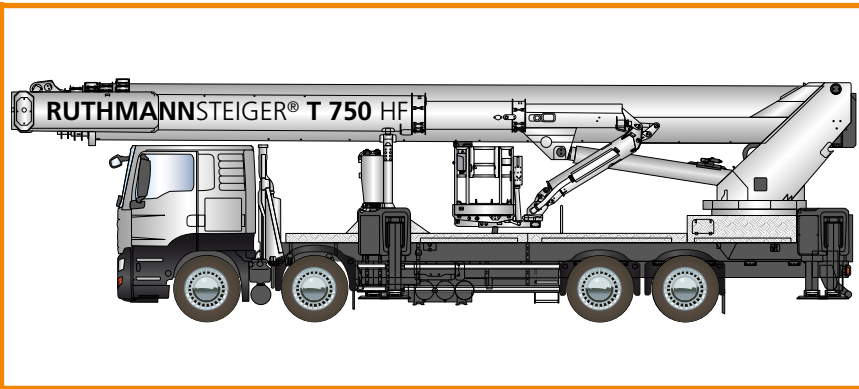
+ Component equality in comparison to other models brings SURPLUS value with

+ Service/maintenance

+ Supply of spare parts and availability



STEIGER® T 750 HF

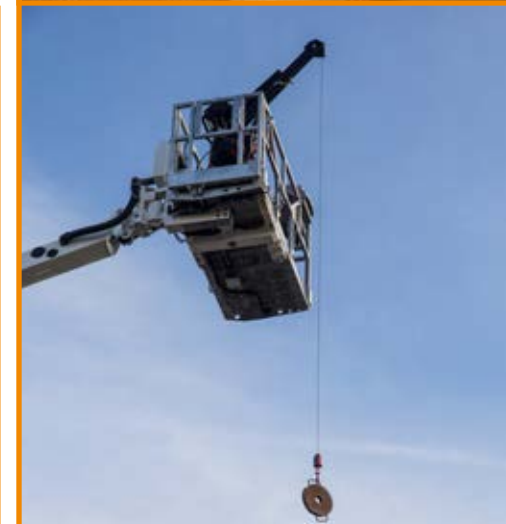


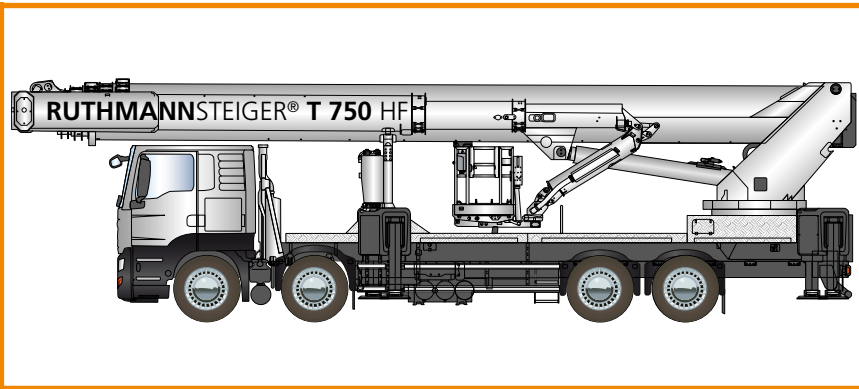
MORE possibilities with the
**special features HEIGHT
performance**



HERE SOME EXAMPLES:

- + Hybrid drive
- + Ambient lighting
- + Folding seat
- + Camera basket
- + Lift-up system
- + Material winch
- + Diverse heating systems in the working basket
- + hyCLEANER adaption
- + Underlay plates for supports
- + Box structures on load area
- + and much, much more!





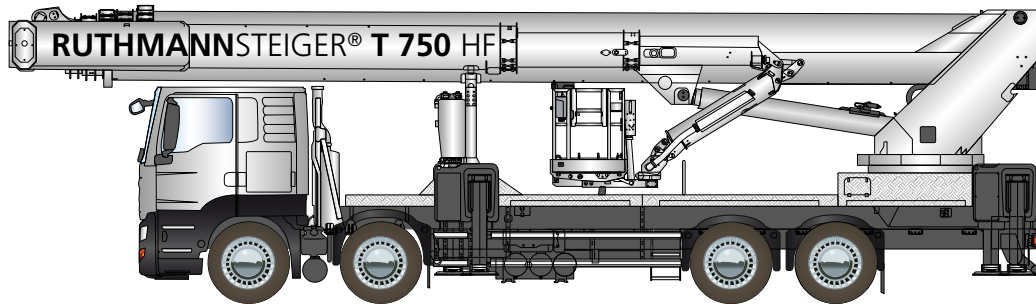
Consistent continuation of innovative HEIGHT performance-series

REVOLUTION

RUTHMANN's EVOLUTION =

Reaching product innovations by creative ideas
and experience – characterized by onward
development with
SURPLUS value

The **REVOLUTION** in the 70 m class!



Benefits Overview

- 75 m working height
- 41 m outreach
- On 4-axes-chassis
- New highflexRÜSSEL® -> 220° Range of motion
- New highflex working basket -> 440° swivelling area
- Further extended upper boom
- Multi-chassis possibilities: Brands, driver's cabin variants and drive types (8x2, 8x4, 8x6 or 8x8)
- Current control and operating technology (COCKPIT)
- Comprehensive optional special features
- A great number of national and international references

STEIGER® T 750 HF

Ruthmann GmbH & Co. KG

Von-Braun-Straße 4
48712 Gescher-Hochmoor
GERMANY

Phone: +49 2863 204-0
Fax: +49 2863 204-212

Internet: www.ruthmann.de
E-mail: export@ruthmann.de