



# Technical Data

Specification & Capacities

## SPX532

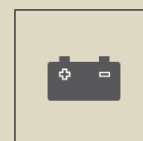
S.N: \_\_\_\_\_



**CE**  
EN 13000



CDH:  
16,1kW/22HP



CL:  
5,5 kW/7,5HP



2,7 – 10,5m



3200kg

[m] [kg]



***SPX532***



***SPX532***

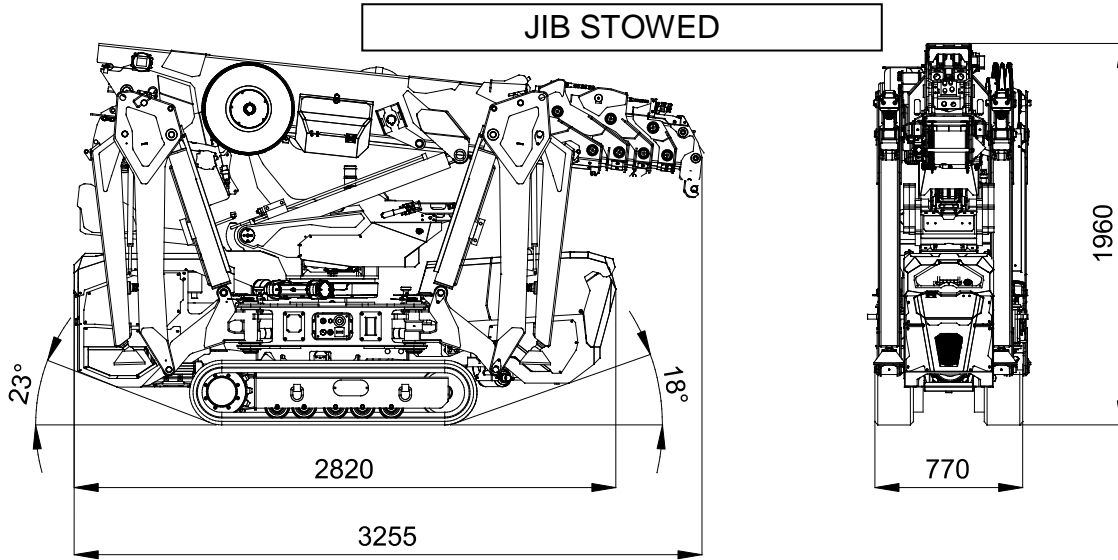


Via Campardone, 1  
31014 Colle Umberto – Italy  
Tel. +39 0438 1710083  
Mail: info@jekko.it  
Web: www.jekko.it

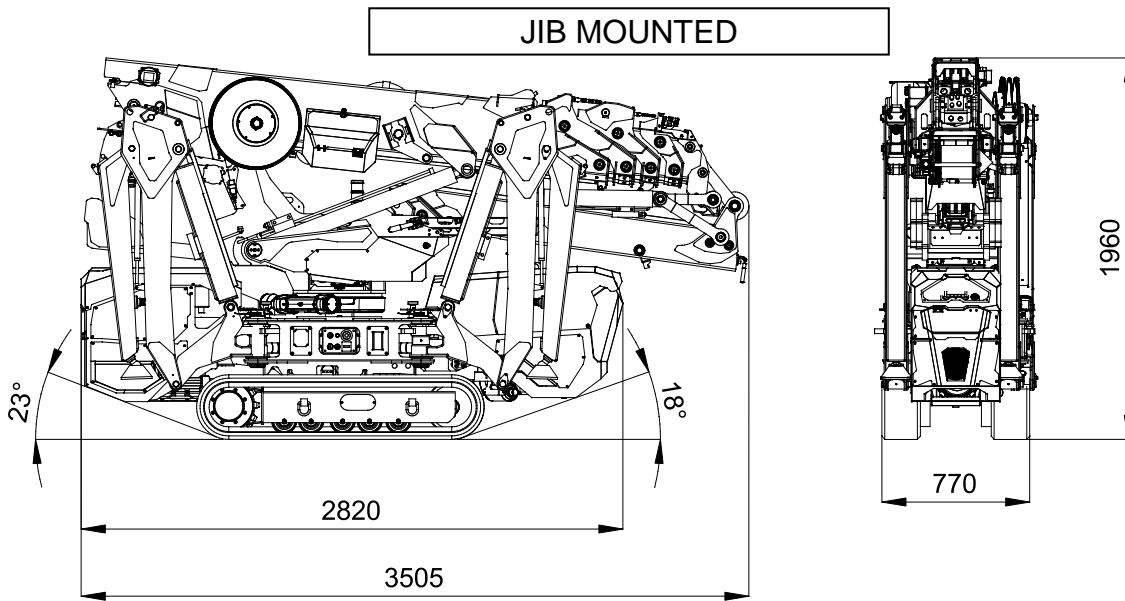
Date	Apr. 3 <sup>rd</sup> 2019
REV.	DRAFT_2

## SPX532 - OVERALL DIMENSIONS

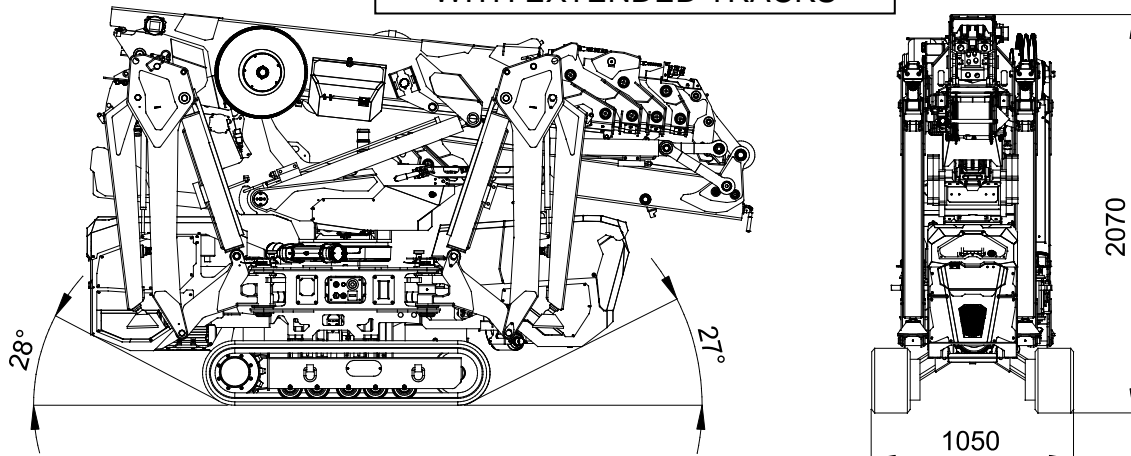
**SPX532CDH**  
JIB STOWED



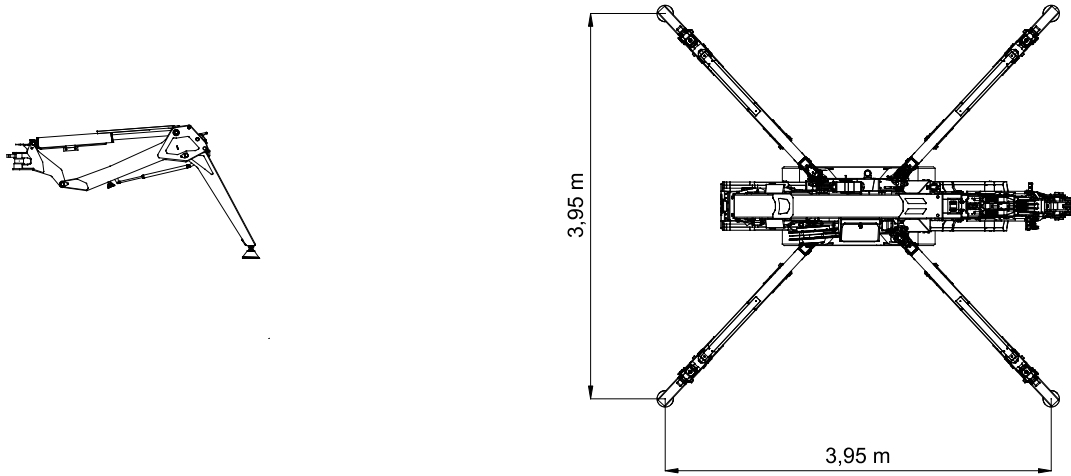
JIB MOUNTED



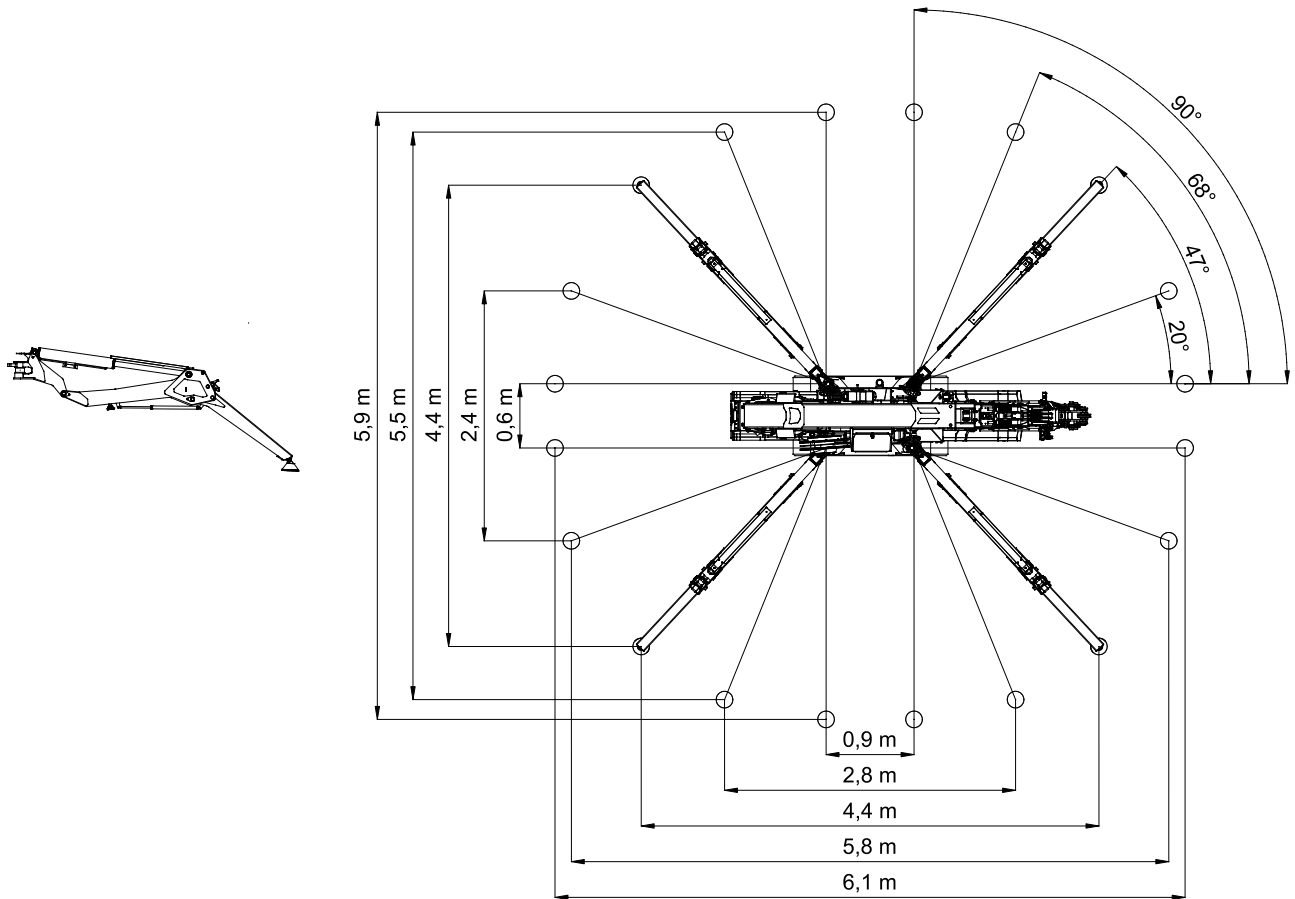
WITH EXTENDED TRACKS



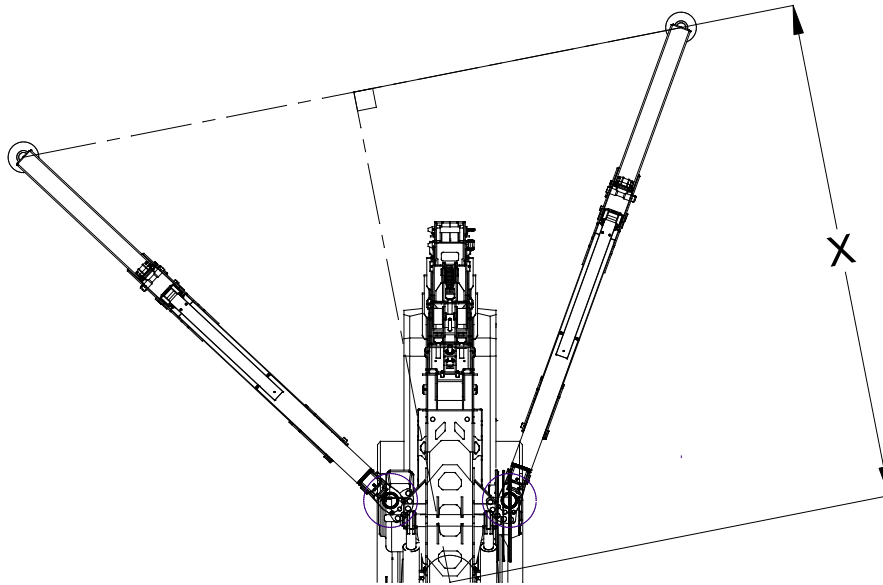
## MINIMUM STABILITY



## MAXIMUM STABILITY

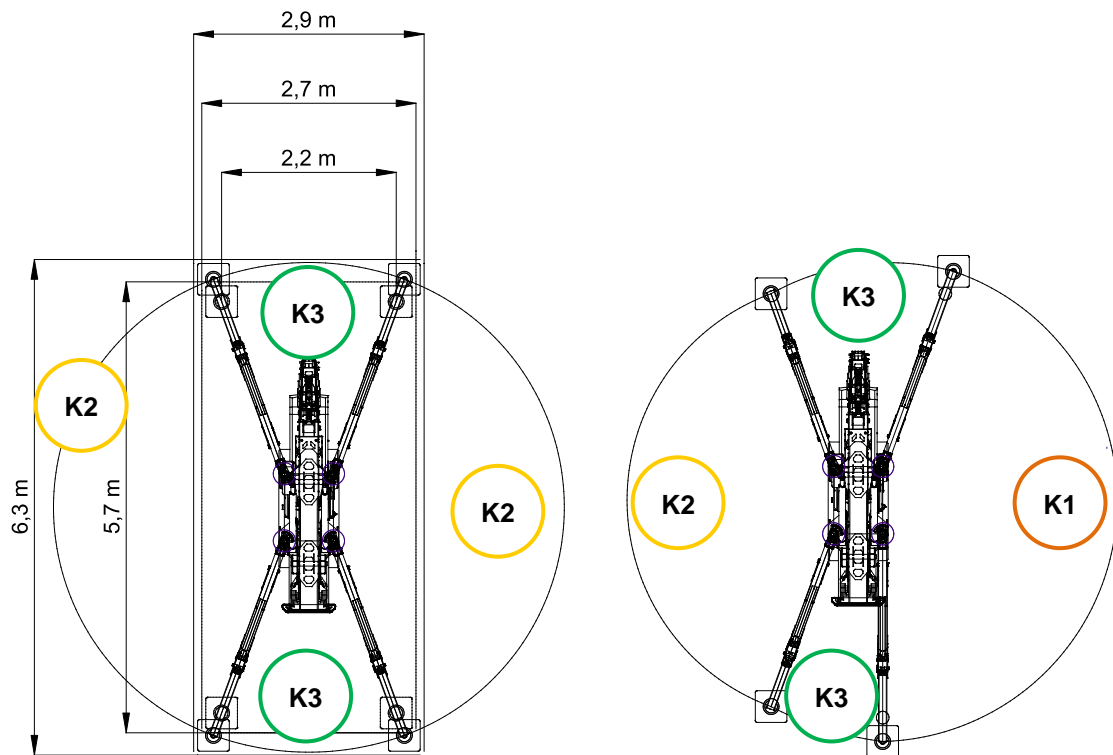
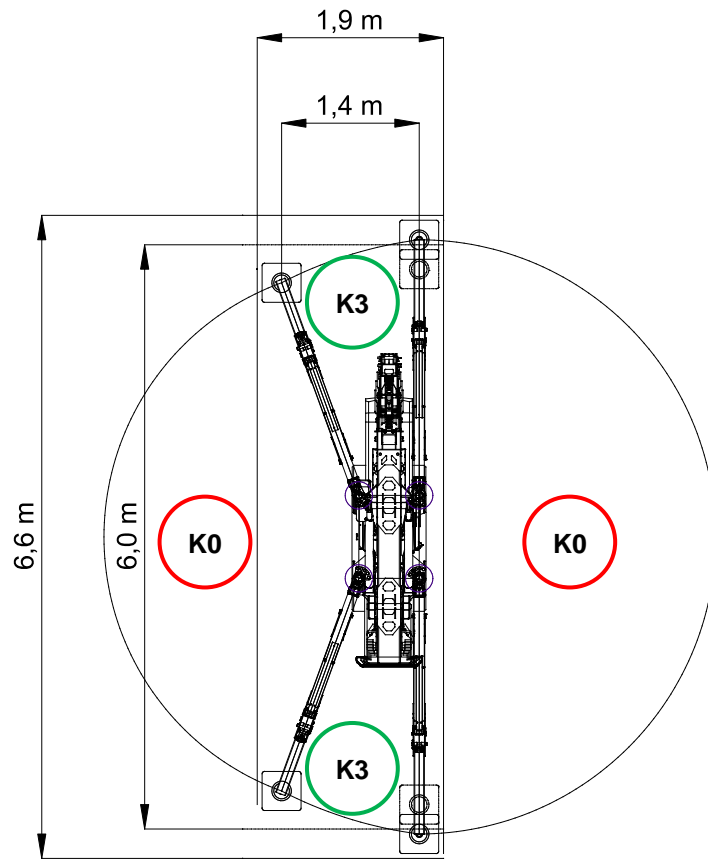


## STABILITY LEVEL DEFINITION



<b>K0</b>	$X < 1,3 \text{ m}$	<b>No lifting capacity</b>
<b>K1</b>	$1,3\text{m} < X < 1,8\text{m}$	<b>Reduced lifting capacity</b>
<b>K2</b>	$1,8\text{m} < X < 2,1\text{m}$	
<b>K3</b>	$X > 2,2 \text{ m}$	<b>Full lifting capacity</b>

## STABILITY SAMPLES



WEIGHTS		Name / version	kg <sup>1</sup>
			2350
			170
		WINCH & PULLEY	60
		SINGLE FALL	20
		MULTIPLE FALL	40
		1 PHASE POWERPACK	52
		3 PHASE POWERPACK	63
		JIB	200
		MANUAL EXTENSION	14
		JIB PULLEY HEAD	8
	OM400	17	

- <sup>1</sup>: Dry weight
- <sup>2</sup>: Engine working limit
- <sup>3</sup>: Static lifting

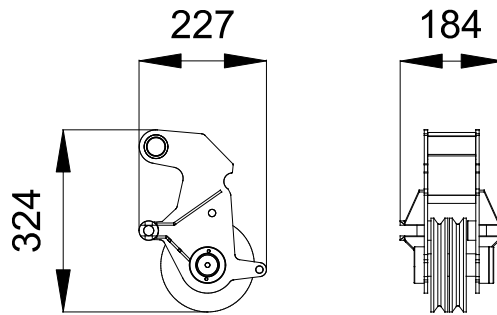
ENGINE (CDH)		KUBOTA D902-E4B	
		16,1kW 22 HP	
		DIESEL	
		L	10
ELECTRIC (CL)		24V 288Ah	
		24V-3F 5,5kW / 7,5HP	
HYDRAULIC		ISO 6743-4:HFDU with VG46 viscosity class	
		Working temp	<70°C
		L	40
MOVEMENTS		km/h	CDH: 2,7 CL: 1,8
		20° (36%) <sup>2</sup>	
		kg/cm <sup>2</sup>	0,63
		kg	3000
		0°/83°	
		s	30
		360°	
		rpm	0,85
		m	2,5 - 10,8
		s	40



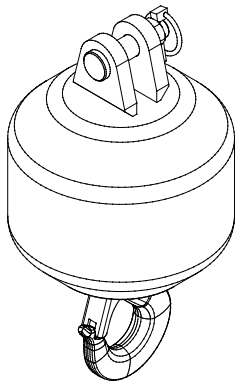
<b>HOIST PERFORMANCE</b>	<b>Winch</b>	<b>Layer</b>	<b>Max line pull</b>	<b>Standard speed</b>	<b>Highest speed</b>
			kg	m/min	m/min
		1	N/A	N/A	N/A
		2	N/A	N/A	N/A
		3	N/A	N/A	N/A
		4	N/A	N/A	N/A
	5	N/A	N/A	N/A	
	<b>Rope</b>	<b>Wire rope</b>	<b>Ø</b>	<b>Total lenght</b>	<b>Max load</b>
			mm	m	kg
		19x7 right lang lay Non rotating	7	60	4974
	<b>Hook block</b>	<b>Load</b>	<b>N° of</b>		<b>Block type</b>
		kg	Sheaves	Lines	
		3200	2	4	Multiple fall block
		2400	2	3	
		1600	1	2	
800		-	1	Single fall block	

<sup>1</sup>:LMI limited at 1000 kg

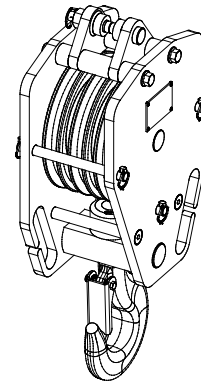
## Tilting pulley head



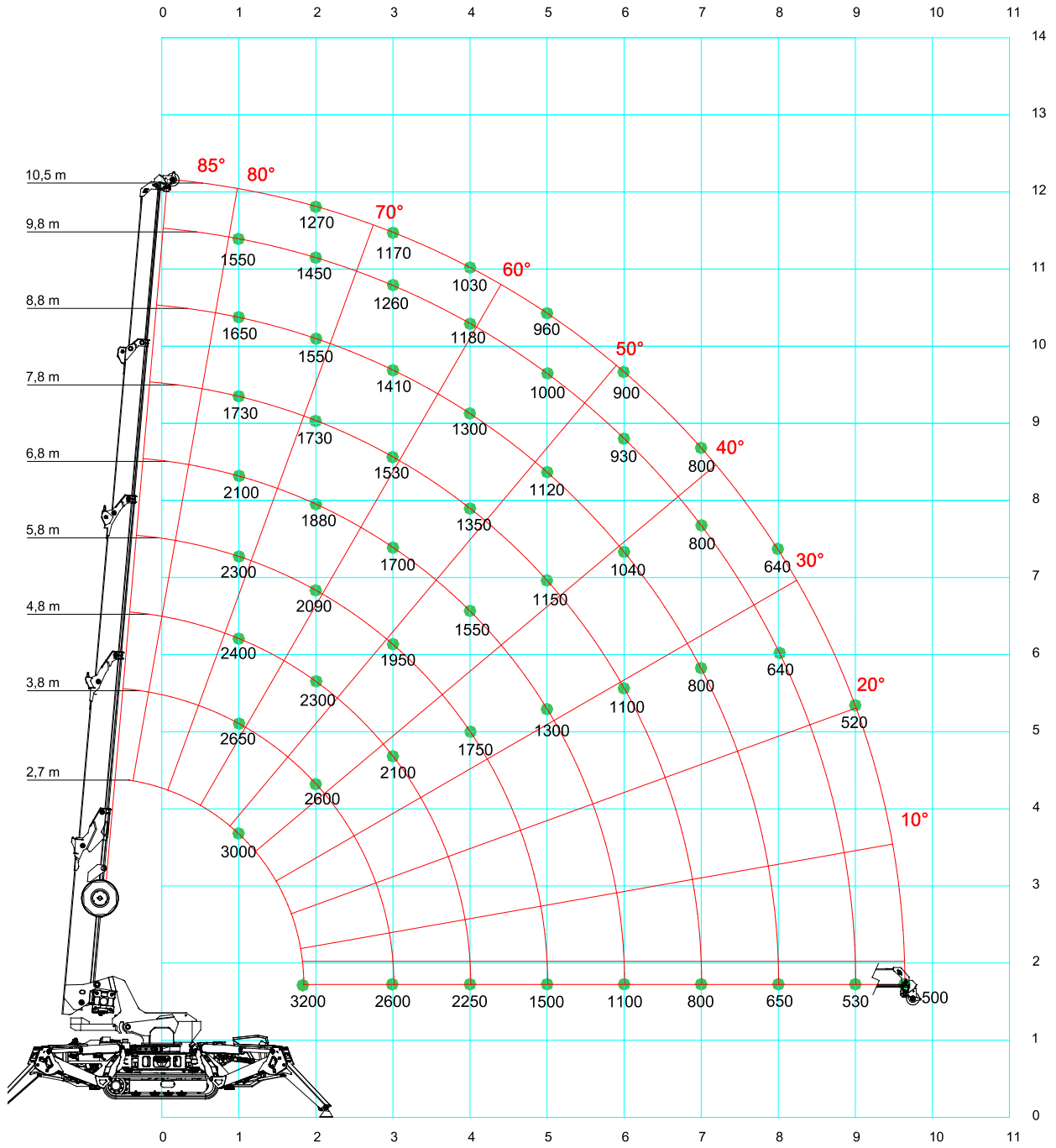
## Single fall



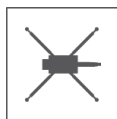
## Multiple fall



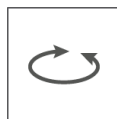
## SPX532 – MAIN BOOM



**Main Boom**



**K5**

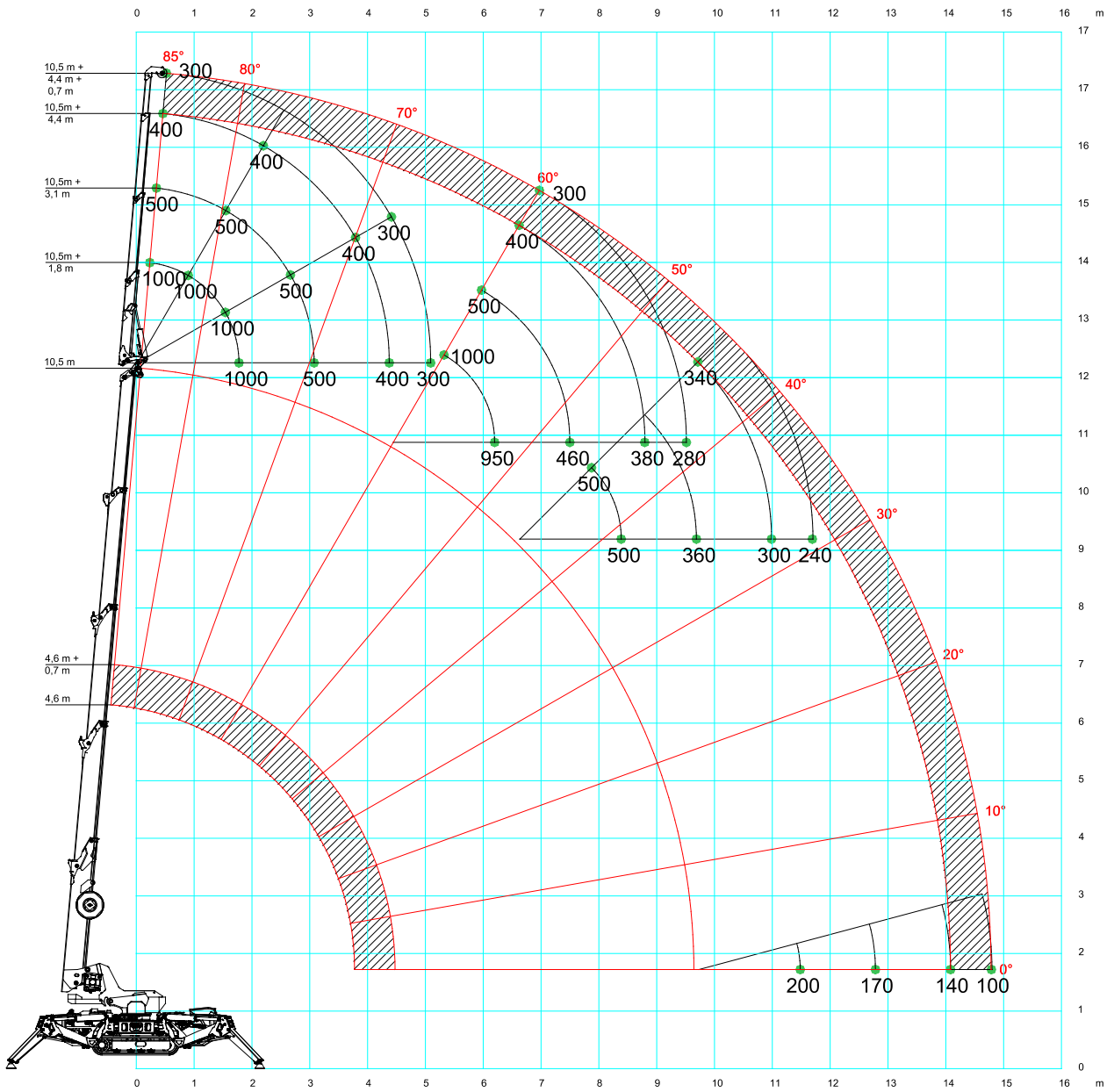


**360°**

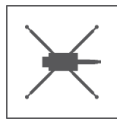


**170kg**

## SPX532 – JIB 1000.2H1MLX



**Main  
Boom**



**K5**

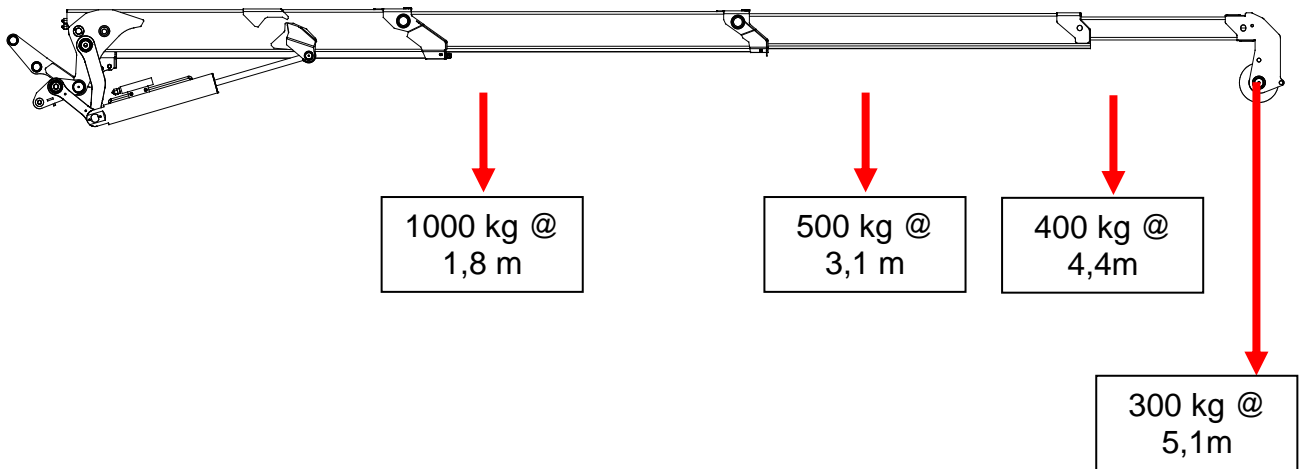
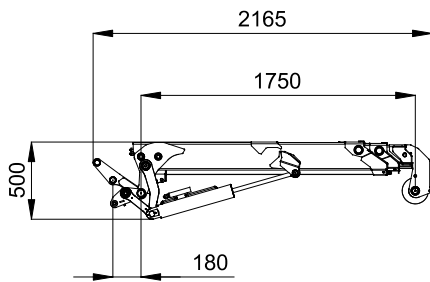
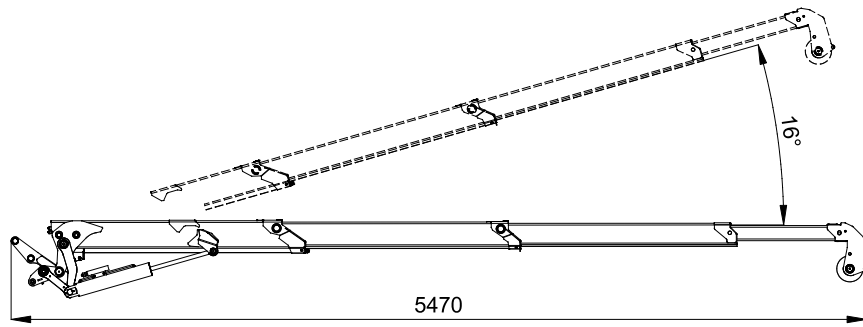


**360°**



**170kg**

## JIB1000.2H1MLX



## SYMBOLS

	Weight		Engine		Boom Angle		Minipicker
	Counterweight		Diesel Fuel		Boom Length		Back Wheel Loading Point
	Crane		Petrol Fuel		Boom Radius		Front Wheel Loading Point
	Dimensions		Tank		Jib on Board		Working Radius
	Stabilization Area		Power		Without Jib on Board		Stabilizing Bar
	Travel Speed		Battery		Jib Hook Radius		Standard
	Gradeability		Lithium Battery		Jib Length and Angle		Factory max. load
	Outrigger Load		Powerpack		Jib Length		Building site max. load
	Track Loading		Main Winch		Jib Radius		Maximum inclination of the machinery
	Outriggers Setup		Hookblock		Manipulator Length		Hydraulic oil
	Ext Tracks Width		Slewing		Manipulator Radius		Winter Warm-up Kit
	Chart on Tracks		Slewing Locked		Number of vacuum pads		Horizontal Boom Angle
	Slope		Outriggers mats		Grabber		White Pads for Steel Tracks

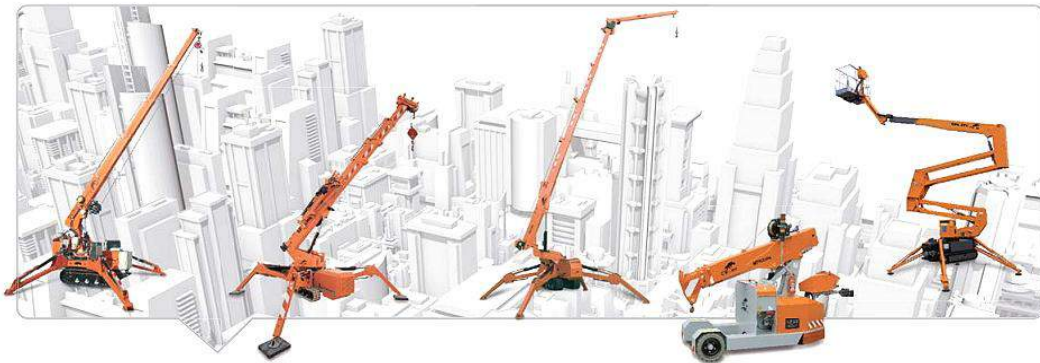
### REMARKS REFERRING TO LOAD CHART

- The load charts are calculated according to EN 13000.
- For the calculation of the load charts at least a wind speed of 9m/s (33km/h) and regarding the load a sail area of 1m<sup>2</sup> per ton load and a wind resistance coefficient of 1.2 on the load have been taken into account. For lifting of loads with large sail areas and/or high wind resistance coefficients the maximum wind speed as stated in the load charts has to be reduced.
- Lifting capacities are given in kilograms.
- The weight of the hook blocks and hooks is part of the load and therefore it must be deducted from the lifting capacities.
- Working radii are measured from the slewing centre.
- The lifting capacities given for the telescopic boom apply if the folding jib is removed.
- Subject to modification of lifting capacities.



NOTES

A large empty rectangular box intended for notes.



DEALER



JEKKO S.r.l. via Campardone, 1 Z.I. 31014 Colle Umberto (TV)  
Italy tel. +39 0438 1710083 fax +39 0438 1710123  
[www.jekko.it](http://www.jekko.it) - [info@jekko.it](mailto:info@jekko.it)